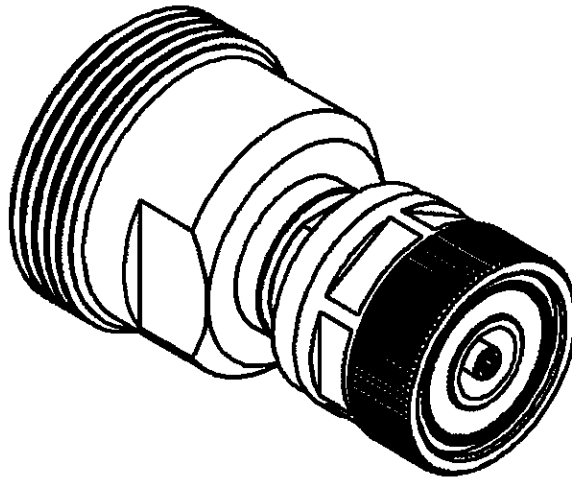
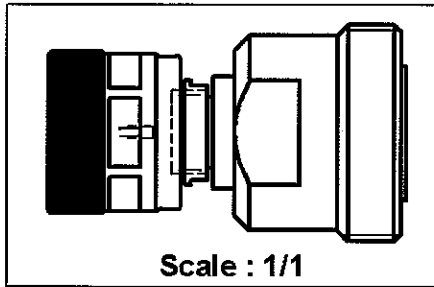
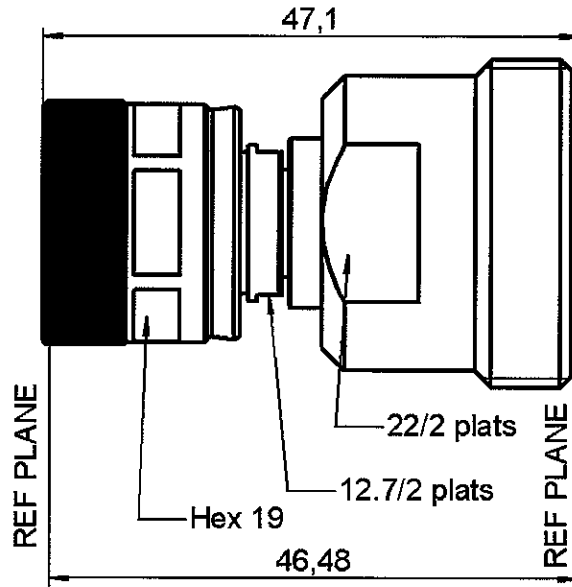


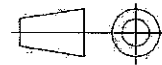
**STRAIGHT ADAPTOR RPC7 - 7-16 FEMALE**

**R191.096.300**

Série : ADAPT



All dimensions are in mm.



COMPONENTS	MATERIALS	PLATINGS (µm)
BODY	BRASS, STAINLESS STEEL	SILVER, GOLD
CENTER CONTACT	BERYLLIUM COPPER	SILVER, GOLD
OUTER CONTACT	BRASS	SILVER.
INSULATOR	PTFE, ULTEM	
GASKET	.	
OTHERS PARTS	.	
.	.	
.	.	

Issue : 0243 B

In the effort to improve our products, we reserve the rights to make changes judged to be necessary.



**STRAIGHT ADAPTOR RPC7 - 7-16 FEMALE**

**R191.096.300**

Série : ADAPT

**PACKAGING**

**SPECIFICATION**

Standard	Unit	Other
1	-	Contact us

**ELECTRICAL CHARACTERISTICS**

**ENVIRONMENTAL**

Impedance		<b>50</b> Ω
Frequency		<b>0-8.5</b> GHz
VSWR	<b>1.03</b> +	<b>0.006</b> x F(GHz) Maxi
Insertion loss		<b>0.04</b> √F(GHz) dB Maxi
RF leakage	- (	<b>NA</b> - F(GHz)) dB Maxi
Voltage rating		<b>1000</b> Veff Maxi
Dielectric withstanding voltage		<b>2500</b> Veff mini
Insulation resistance		<b>5000</b> MΩ mini

Operating	<b>+13/+33</b> °C
Hermetic seal	<b>NA</b> Atm.cm3/s
Panel leakage	<b>NA</b>

**MECHANICAL CHARACTERISTICS**

**OTHERS CHARACTERISTICS**

Center contact retention		
Axial force – Mating end		<b>120</b> N mini
Axial force – Opposite end		<b>120</b> N mini
Torque		<b>NA</b> N.cm mini
Recommended torque		
Mating	<b>PC7</b>	<b>140</b> N.cm
	<b>7/16</b>	<b>0</b> N.cm
	-	<b>0</b> N.cm
Panel nut		- N.cm
Mating life		<b>500</b> Cycles mini
Weight		<b>103.400</b> g

ROS (V.S.W.R) 1.15 max -> 12.5 GHz

Issue : 0243 B

In the effort to improve our products, we reserve the rights to make changes judged to be necessary.

